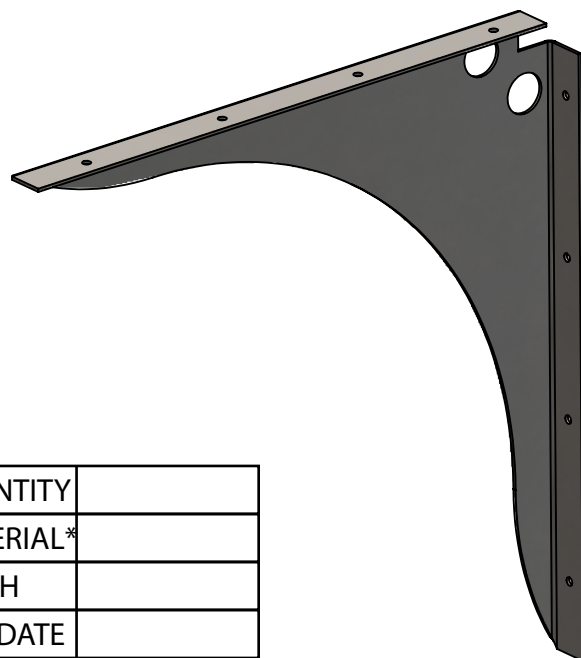
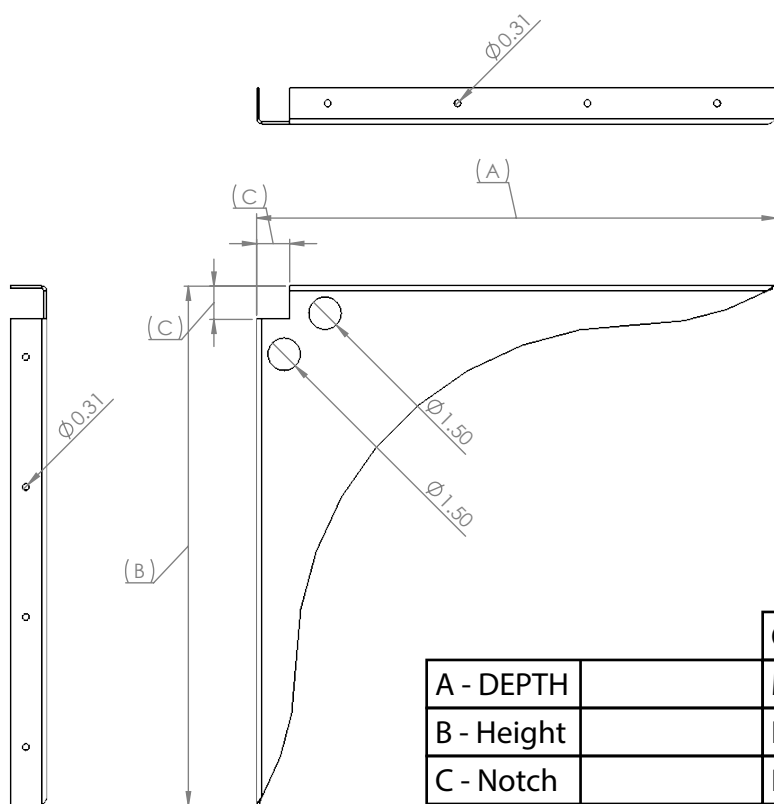


AVATAR METAL WORKS

CUSTOM SUPPORT BRACKET

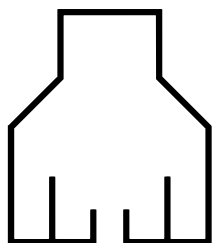


	QUANTITY	
A - DEPTH	MATERIAL*	
B - Height	FINISH	
C - Notch	DUE DATE	

*STANDARD MATERIAL THICKNESS .100"
LOAD RATING AVAILABLE FOR ADDITIONAL FEE

STANDARD SIZES

8/5"
12/8"
18/15"
24/21"
28/21"

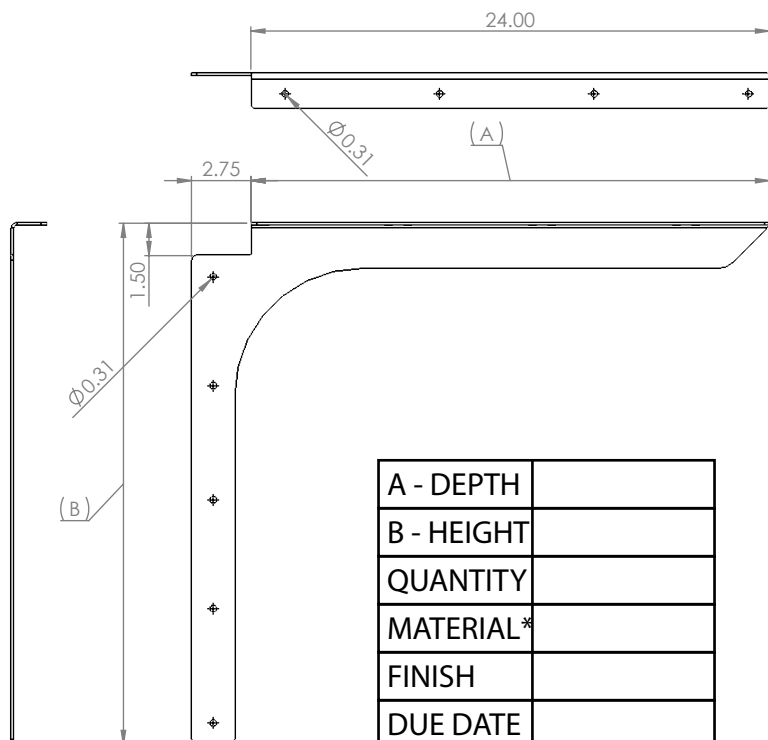


AVATAR



METAL WORKS

INWALL SUPPORT BRACKET

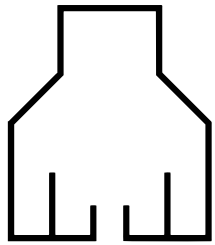


A - DEPTH	
B - HEIGHT	
QUANTITY	
MATERIAL*	
FINISH	
DUE DATE	

*STANDARD MATERIAL THICKNESS .100"
LOAD RATING AVAILABLE FOR ADDITIONAL FEE

STANDARD SIZES

24/24"
12/12"

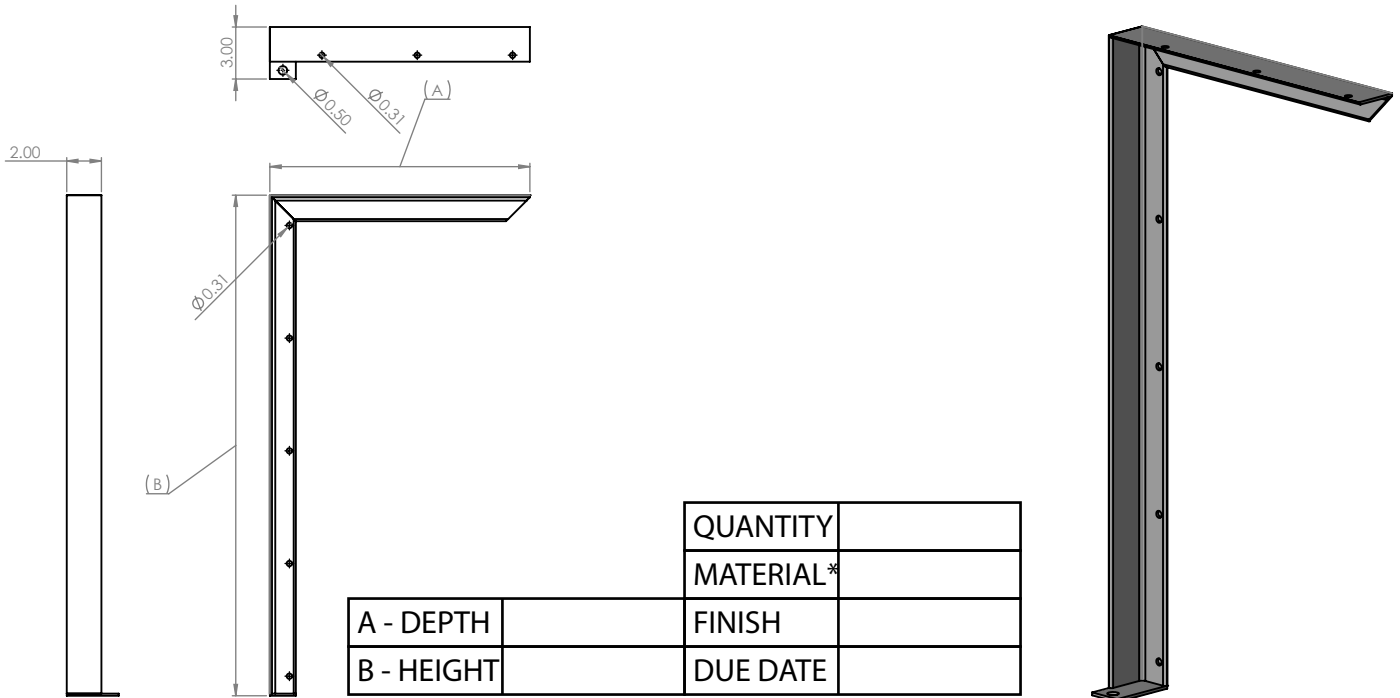


AVATAR



METAL WORKS

SUPPORT BRACKET W/ FOOT

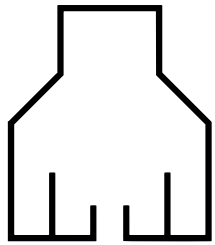


	QUANTITY		
	MATERIAL*		
A - DEPTH		FINISH	
B - HEIGHT		DUE DATE	

*STANDARD MATERIAL THICKNESS .100"
 LOAD RATING AVAILABLE FOR ADDITIONAL FEE

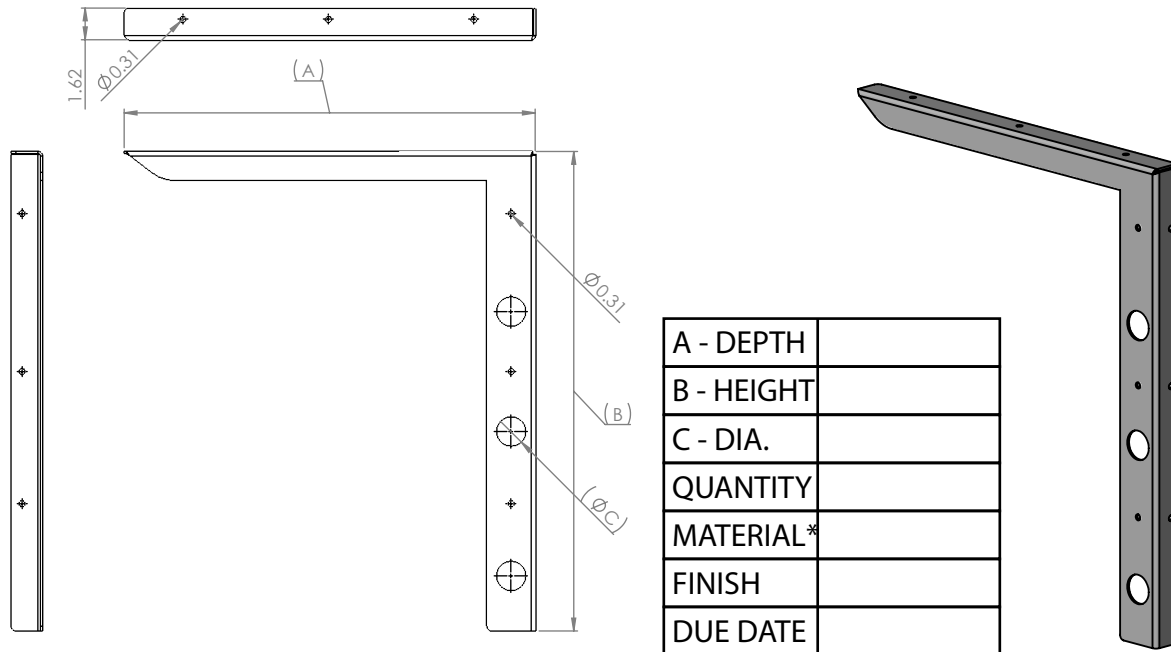
STANDARD SIZES

24/32 1/2"



AVATAR METAL WORKS

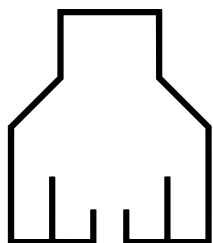
MULTIPURPOSE MOUNTING BRACKET



*STANDARD MATERIAL THICKNESS .100"
LOAD RATING AVAILABLE FOR ADDITIONAL FEE

STANDARD SIZES

24/22"
12/10"

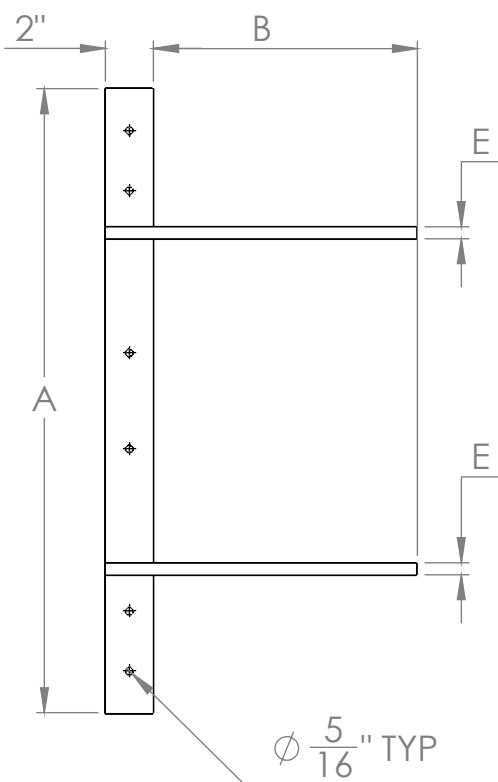


AVATAR



METAL WORKS

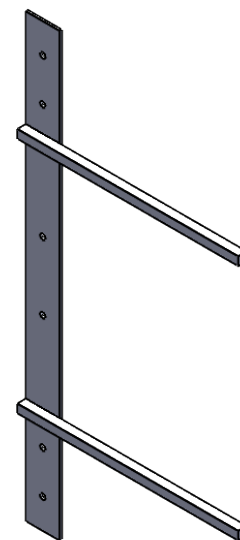
DOUBLE FLOATING SHELF BRACKET



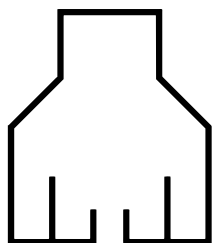
$\phi \frac{5}{16}$ " TYP

A - HEIGHT	
B - DEPTH	
C - HEIGHT	
D - HEIGHT	
E - BAR	
QUANTITY	
MATERIAL*	
FINISH	
DUE DATE	

*STANDARD MATERIAL THICKNESS .100"
LOAD RATING AVAILABLE FOR ADDITIONAL FEE



STANDARD SIZES

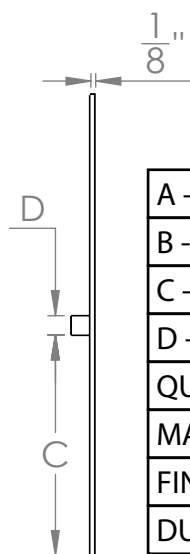
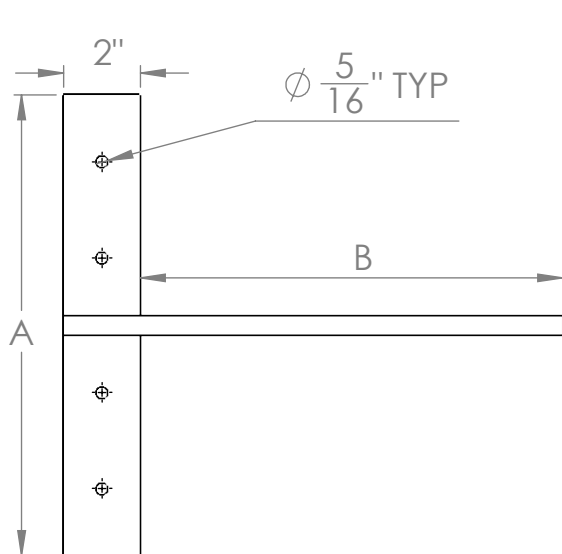


AVATAR



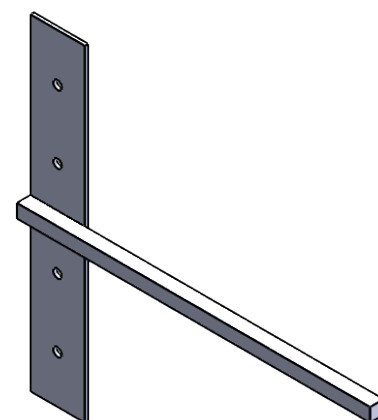
METAL WORKS

SINGLE FLOATING SHELF BRACKET



A - HEIGHT	
B - DEPTH	
C - HEIGHT	
D - BAR	
QUANTITY	
MATERIAL*	
FINISH	
DUE DATE	

*STANDARD MATERIAL THICKNESS .100"
LOAD RATING AVAILABLE FOR ADDITIONAL FEE



STANDARD SIZES